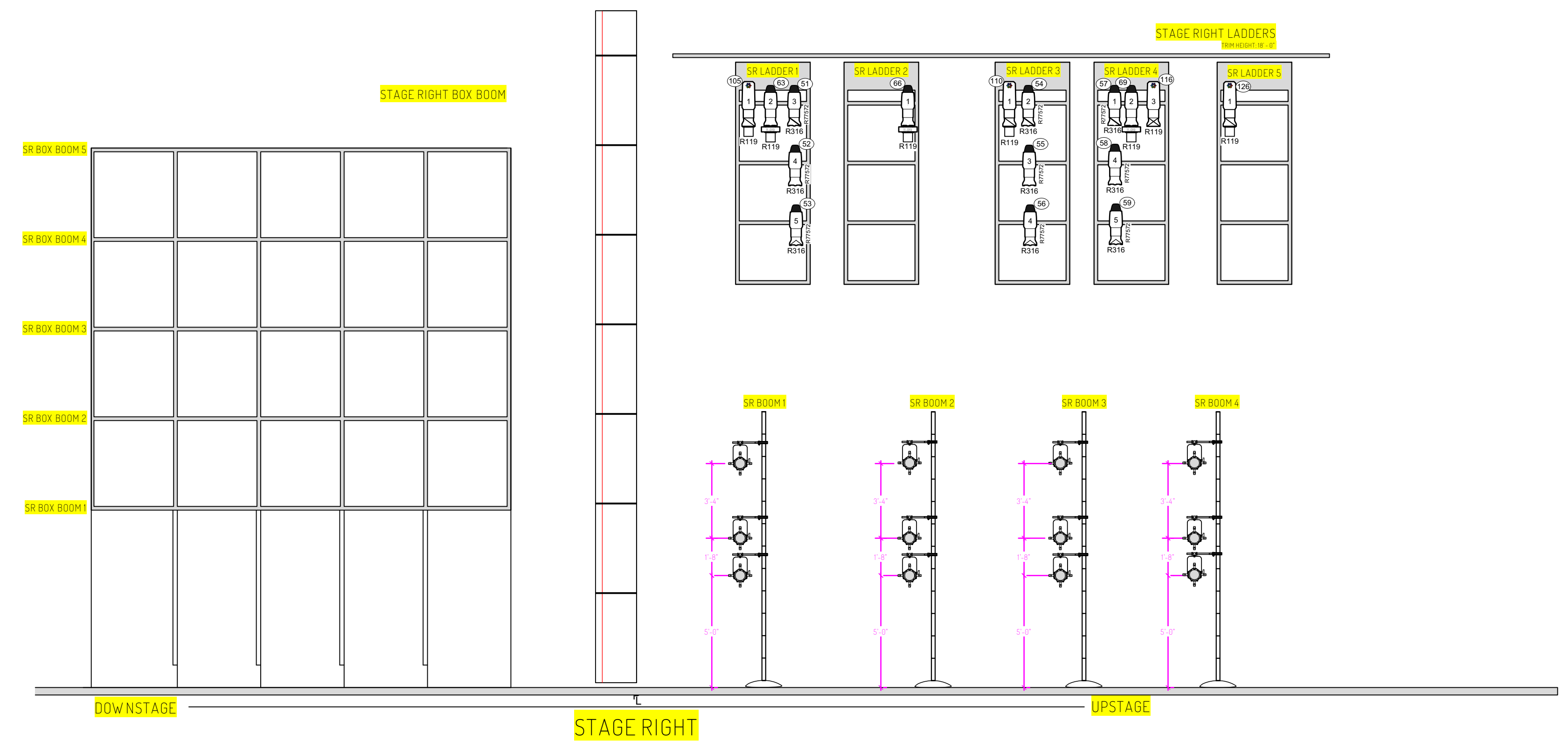
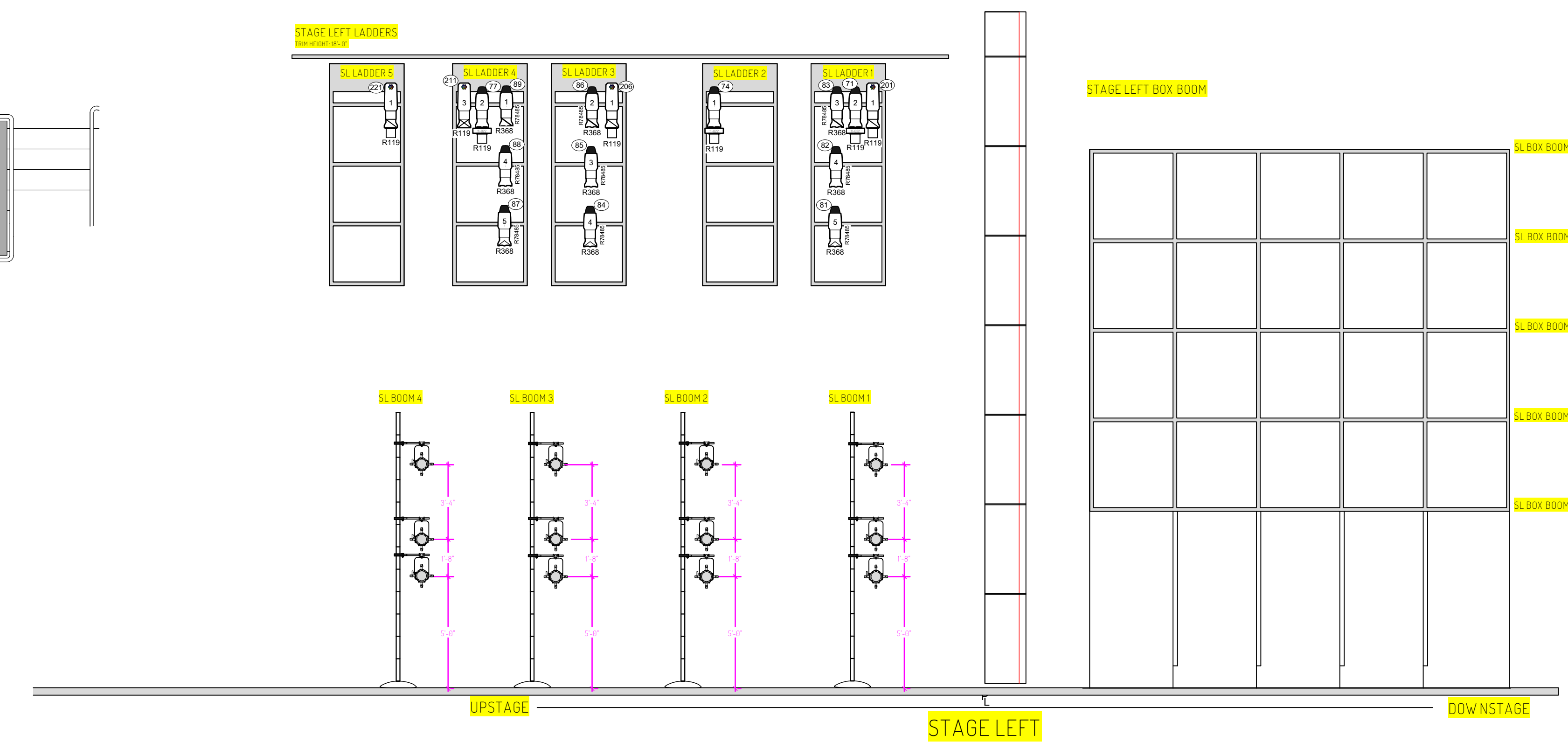
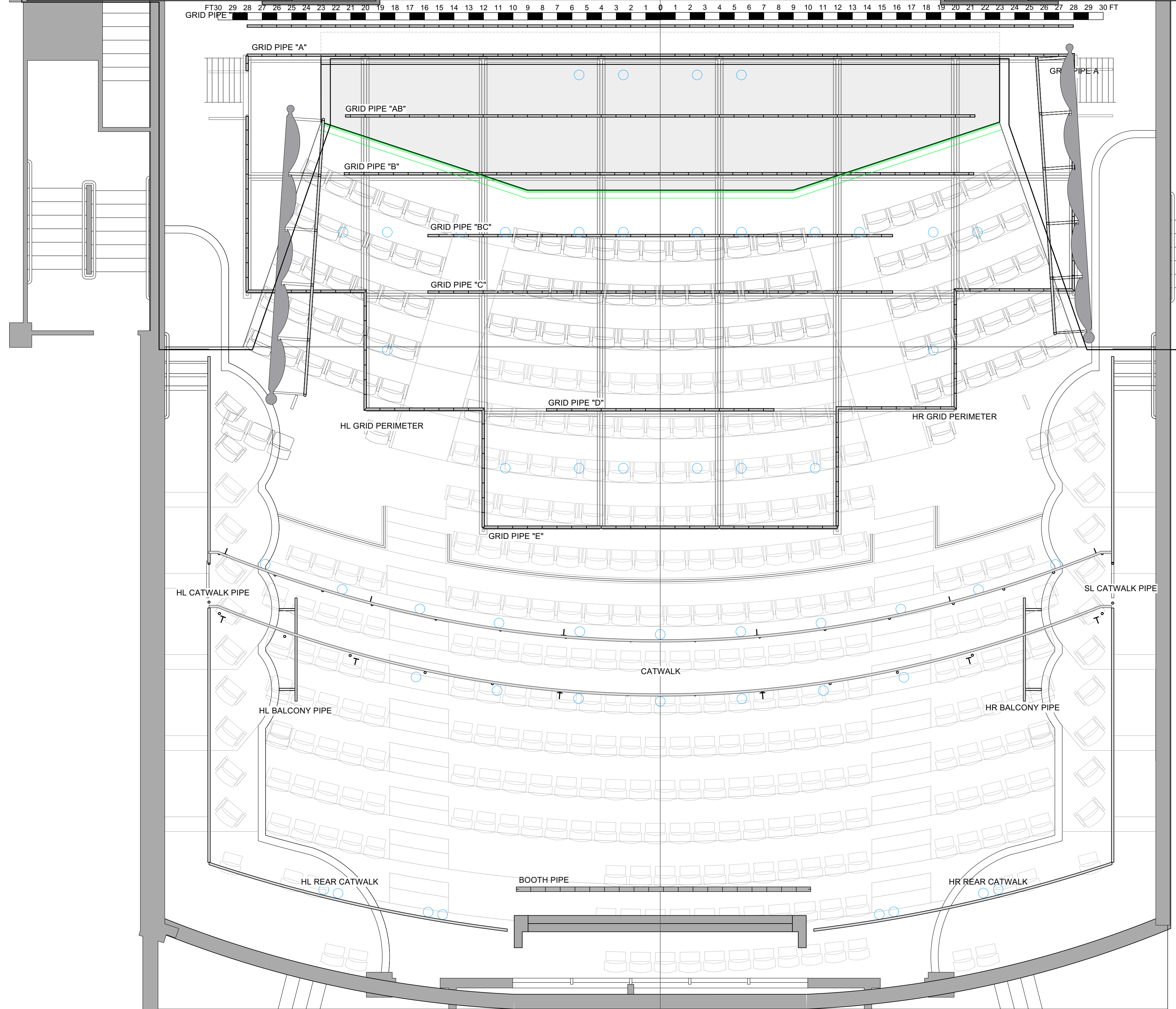
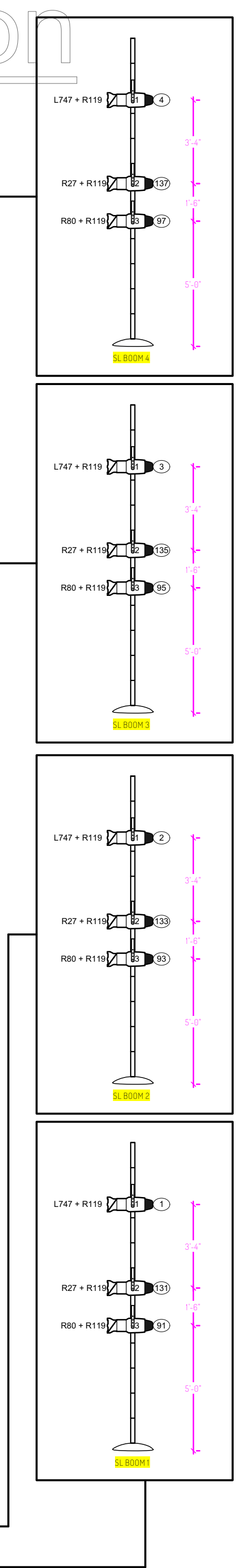


LineSet #	Desc	Dist From PL	Rim Height
52	SR Ladders	38'-0"	
51	SR Tabs	37'-4"	
50	SL Tabs	36'-8"	
49	SL Ladders	36'-0"	
48	CYC	35'-3"	
47		34'-7"	
46		33'-11"	
45		33'-5"	
44		32'-7"	
43		31'-11"	
42		30'-7"	30'-0"
41		29'-11"	
40		29'-3"	
39	PORTAL	28'-7"	
38	5TH LESE	27'-11"	
37	5TH BORDER	27'-3"	25'-0"
36		26'-7"	
35	6TH ELECTRIC	25'-11"	29'-0"
34		25'-3"	
33		24'-7"	
32	REEDS 6	23'-11"	
31	5TH ELECTRIC	22'-7"	28'-0"
30		21'-11"	
29		21'-5"	
28	REEDS 5	20'-7"	
27	REEDS 4	19'-11"	
26	4TH LESE	19'-5"	
25	4TH BORDER	18'-7"	24'-0"
24		17'-11"	
23	4TH ELECTRIC	17'-5"	28'-0"
22		16'-7"	
21	3RD LESE	15'-11"	
20	3RD BORDER	14'-7"	25'-0"
19		13'-11"	
18	3RD ELECTRIC	13'-5"	29'-0"
17		12'-7"	
16	FOCUS TRACK 2	11'-11"	
15	REEDS 2	11'-5"	
14		10'-7"	
13	2ND ELECTRIC	9'-11"	27'-0"
12		9'-5"	
11	2ND LESE	8'-7"	
10	2ND BORDER	7'-11"	24'-0"
9	FOCUS TRACK 1	6'-7"	
8	REEDS 1	5'-11"	24'-0"
7		5'-5"	
6	1ST ELECTRIC	4'-7"	27'-0"
5		3'-11"	
4	1ST LESE	3'-5"	
3	BLACK DRAPE	2'-7"	
2	GRAND DRAPE	1'-11"	
1	1ST BORDER & SCRIM	1'-5"	30'-0"

Scrim is Tailed Down 4' 6"
From Lineset 1



SYMBOL KEY

- ETC Source 4 PAR WFL @ 750W
- ETC Source 4 26" @ 750W
- ETC Source 4 36" @ 575W
- ETC Source 4 50" @ 750W
- ETC Source 4 LED 19" @ 117W
- ETC Source 4 LED 26" @ 117W
- ChromaQ Studio Force II 48 @ 550W

ACCESSORY KEY

- Wybron Fore-runner 4" Color Scroller w/ Scroll 11-019
- Wybron Fore-runner 4" Color Scroller w/ Scroll 11-022
- 7.5" Four Leaf Barn Door
- Sidarm

COLOR & TEMPLATE KEY

G330	L747	R27	R80
R90	R316	R368	R2007
R3202	R3406	R77572	R78485

LEGEND

Gobo: R02 - Color
R102 - Template Indicator
R101 - Unit Number
R100 - Channel Number

NOTES

1. Please note that all Boom Coordinates are directly next to the Booms on Plate 1.

WOZZECK

CARNEGIE MELLON UNIVERSITY
THE PHILIP COSKY THEATER

JESSICA WINWARD
LIGHTING DESIGN

PRODUCTION TEAM

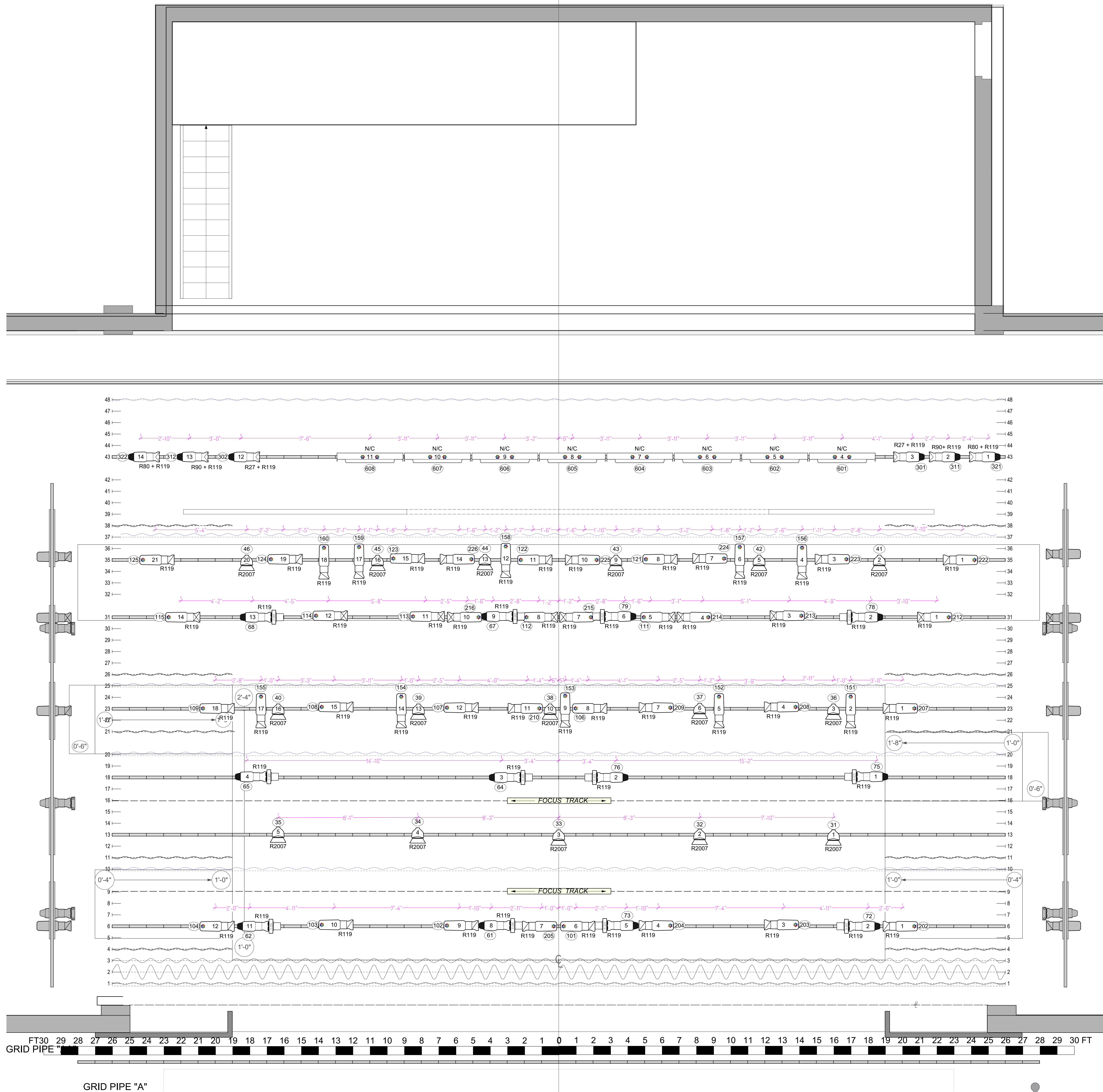
DIRECTOR:
SCENIC DESIGNER:
SOUND DESIGNER:
COSTUME DESIGNER:
MEDIA DESIGNER:
LIGHTING DESIGNER: JESSICA WINWARD

SCALE: 1/4" = 1'
REVISION #: 2

DATE: 04.14.2022

SHEET NO. 1 OF 5

COMPOSITE



Lineset #	Piece	Dist. From PL	Trim Height
52	SR Ladders	38'-0"	
51	SR Tabs	37'-4"	
50	SL Tabs	36'-8"	
49	SL Ladders	36'-0"	
48	CYC	35'-3"	
47		34'-7"	
46		33'-11"	
45		33'-3"	
44		32'-7"	
43		31'-11"	
42	7TH ELECTRIC	30'-7"	30'-0"
41		29'-11"	
40		29'-3"	
39	PORTAL	28'-7"	
38	5TH LEGS	27'-11"	
37	5TH BORDER	27'-3"	25'-0"
36		26'-7"	
35	6TH ELECTRIC	25'-11"	29'-6"
34		25'-3"	
33		24'-7"	
32	REEDS 6	23'-11"	
31	5TH ELECTRIC	22'-7"	28'-0"
30		21'-11"	
29		21'-3"	
28	REEDS 5	20'-7"	
27	REEDS 4	19'-11"	
26	4TH LEG	19'-3"	
25	4TH BORDER	18'-7"	24'-0"
24		17'-11"	
23	4TH ELECTRIC	17'-3"	28'-0"
22		16'-7"	
21	3RD LEG	15'-11"	
20	3RD BORDER	14'-7"	25'-0"
19	REEDS 3	13'-11"	
18	3RD ELECTRIC	13'-3"	29'-6"
17		12'-7"	
16	FOCUS TRACK 2	11'-11"	
15	REEDS 2	11'-3"	
14		10'-7"	
13	2ND ELECTRIC	9'-11"	27'-0"
12		9'-3"	
11	2ND LEG	8'-7"	
10	2ND BORDER	7'-11"	24'-0"
9	FOCUS TRACK 1	6'-7"	
8	REEDS 1	5'-11"	24'-0"
7		5'-3"	
6	1ST ELECTRIC	4'-7"	27'-6"
5		3'-11"	
4	1ST LEGS	3'-3"	
3	BLACK DRAPE	2'-7"	
2	GRAND DRAPE	1'-11"	
1	1ST BORDER & SCRIM	1'-3"	30'-0"

SYMBOL KEY

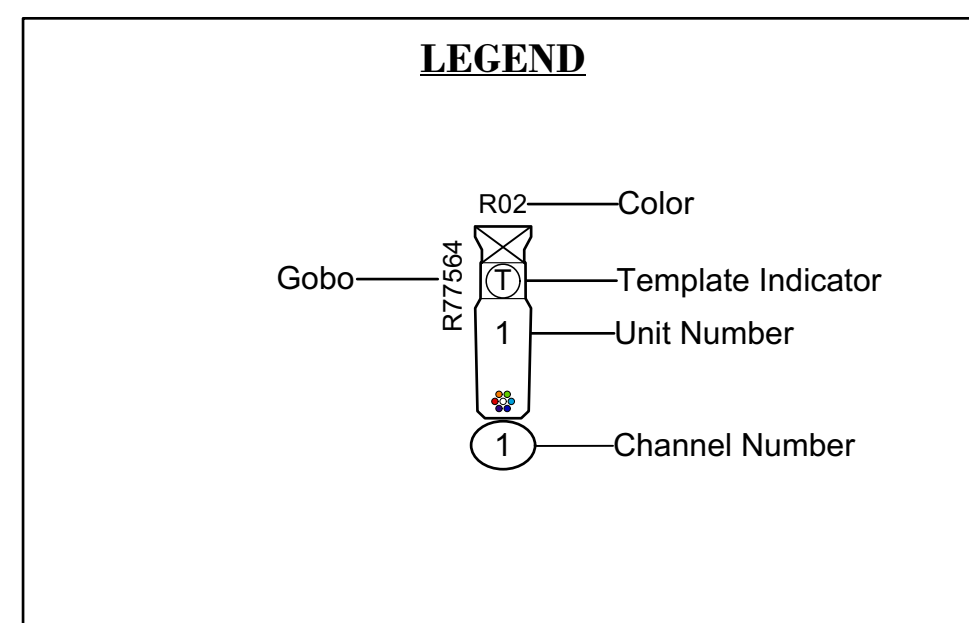
- ETC Source 4 PAR WFL @ 750W
- ETC Source 4 26° @ 750W
- ETC Source 4 36° @ 575W
- ETC Source 4 50° @ 750W
- ETC Source 4 LED 19° @ 117W
- ETC Source 4 LED 26° @ 117W
- ChromaQ Studio Force II 48 @ 550W

ACCESSORY KEY

- Wybron Fore-runner 4" Color Scroller w/ Scroll 11-019
- Wybron Fore-runner 4" Color Scroller w/ Scroll 11-022
- 7.5" Four Leaf Barn Door
- Sidarm

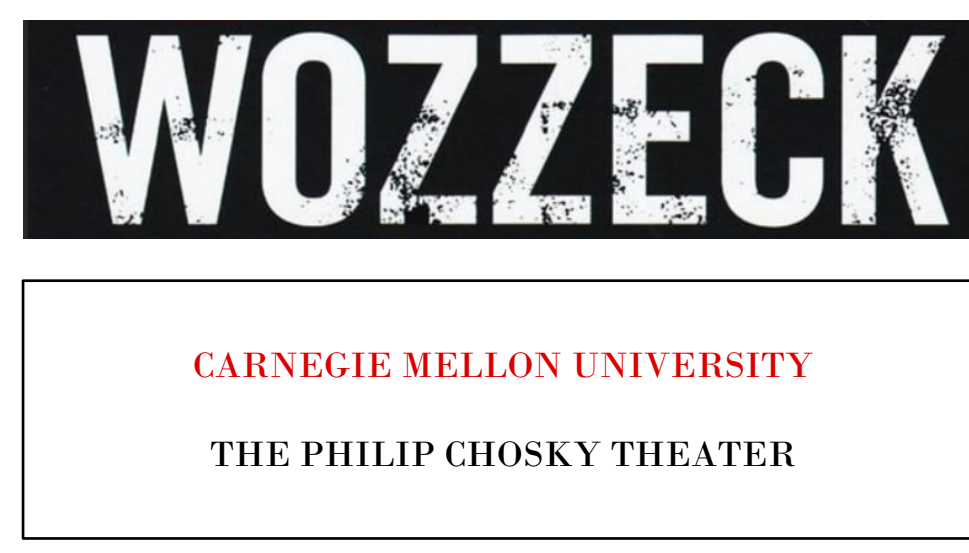
COLOR & TEMPLATE KEY

G330	L747	R27	R80
R90	R316	R368	R2007
R3202	R3406	R77572	R78485



NOTES

1. Please note that all Boom Coordinates are directly next to the Booms on Plate 1.



JESSICA WINWARD
LIGHTING DESIGN

PRODUCTION TEAM

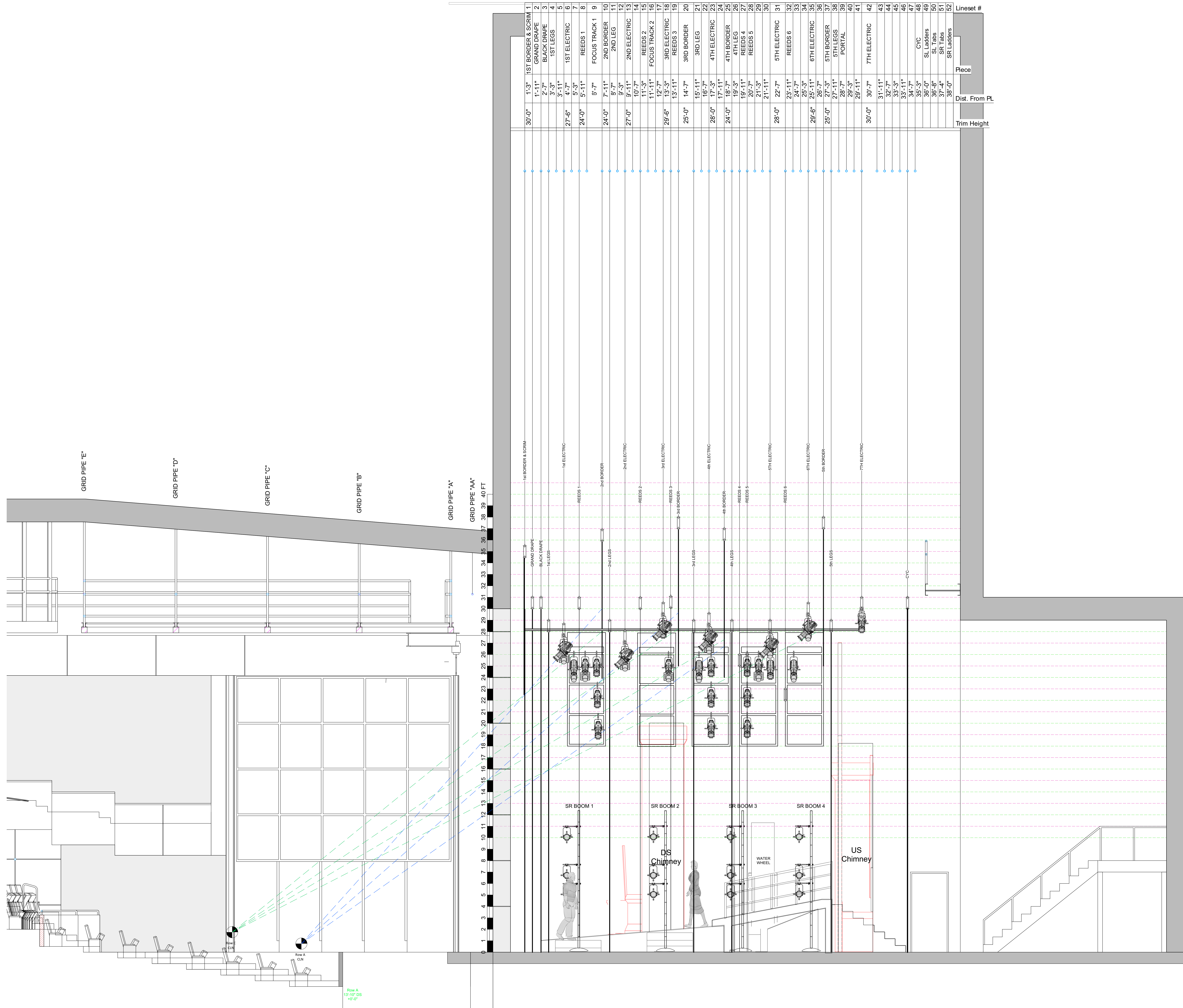
DIRECTOR:
SCENIC DESIGNER:
SOUND DESIGNER:
COSTUME DESIGNER:
MEDIA DESIGNER:
LIGHTING DESIGNER: JESSICA WINWARD

SCALE: 1/2" = 1'
REVISION #: 2

DATE: 04.14.2022

SHEET NO. 2
OF 5

OVERHEAD



SYMBOL KEY

- ETC Source 4 PAR WFL @ 750W
- ETC Source 4 26° @ 750W
- ETC Source 4 36° @ 575W
- ETC Source 4 50° @ 750W
- ETC Source 4 LED 19° @ 117W
- ETC Source 4 LED 26° @ 117W
- ChromaQ Studio Force II 48 @ 550W

ACCESSORY KEY

- Wybron Fore-runner 4" Color Scroller w/ Scroll 11-019
- Wybron Fore-runner 4" Color Scroller w/ Scroll 11-022
- 7.5" Four Leaf Barn Door
- Sidarm

COLOR & TEMPLATE KEY

G330	L747	R27	R80
R90	R316	R368	R2007
R3202	R3406	R77572	R78485

LEGEND

- R02 - Color
- R77572 - Template Indicator
- 1 - Unit Number
- 1 - Channel Number

NOTES

1. Please note that all Boom Coordinates are directly next to the Booms on Plate 1.

WOZZECK

CARNEGIE MELLON UNIVERSITY
THE PHILIP CHOSKY THEATER

JESSICA WINWARD
LIGHTING DESIGN

PRODUCTION TEAM

DIRECTOR:
SCENIC DESIGNER:
SOUND DESIGNER:
COSTUME DESIGNER:
MEDIA DESIGNER:
LIGHTING DESIGNER: JESSICA WINWARD

SCALE: 3/8" = 1'
REVISION #: 2

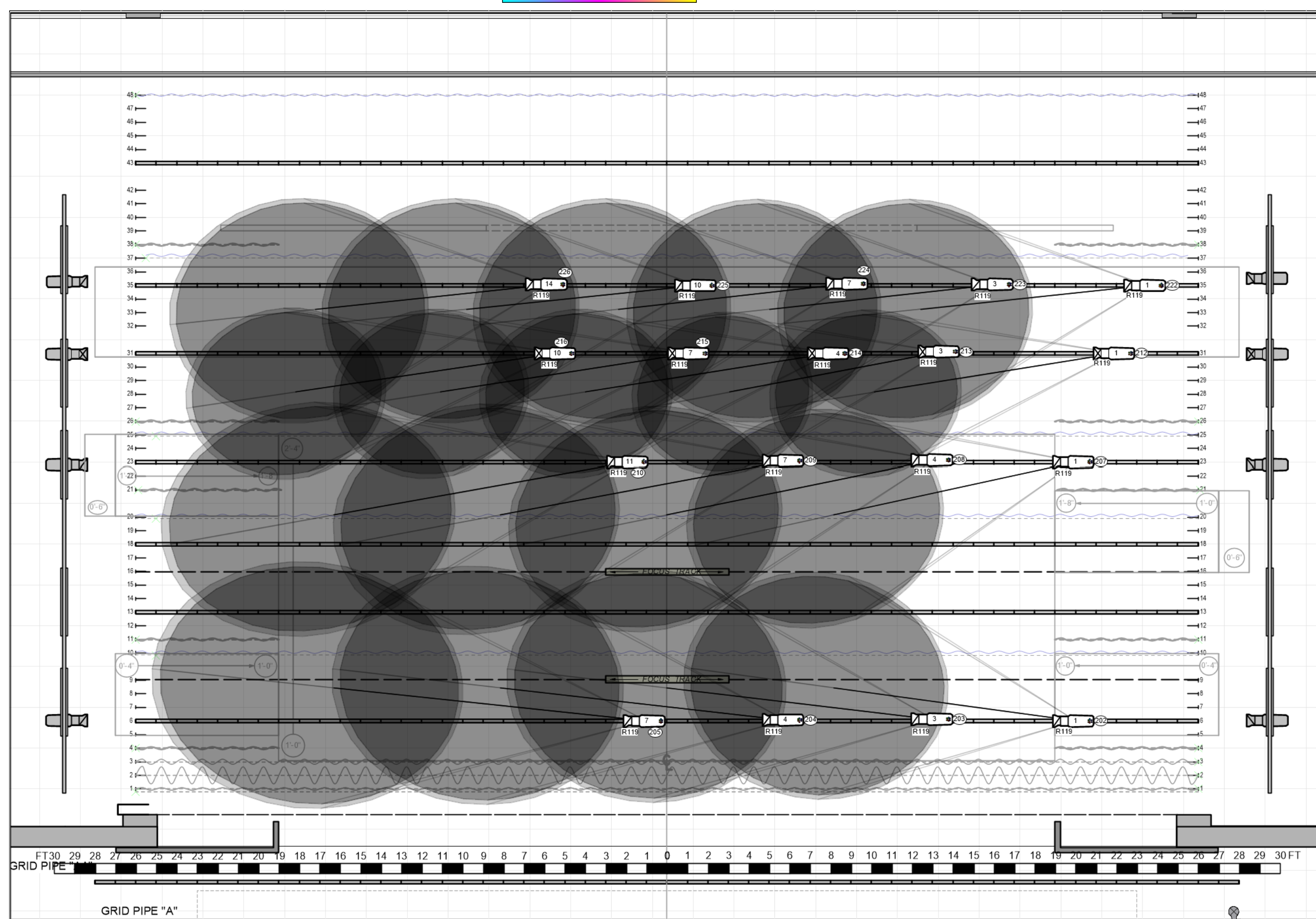
DATE: 04.14.2022

SHEET NO. 4 OF 5

SECTION

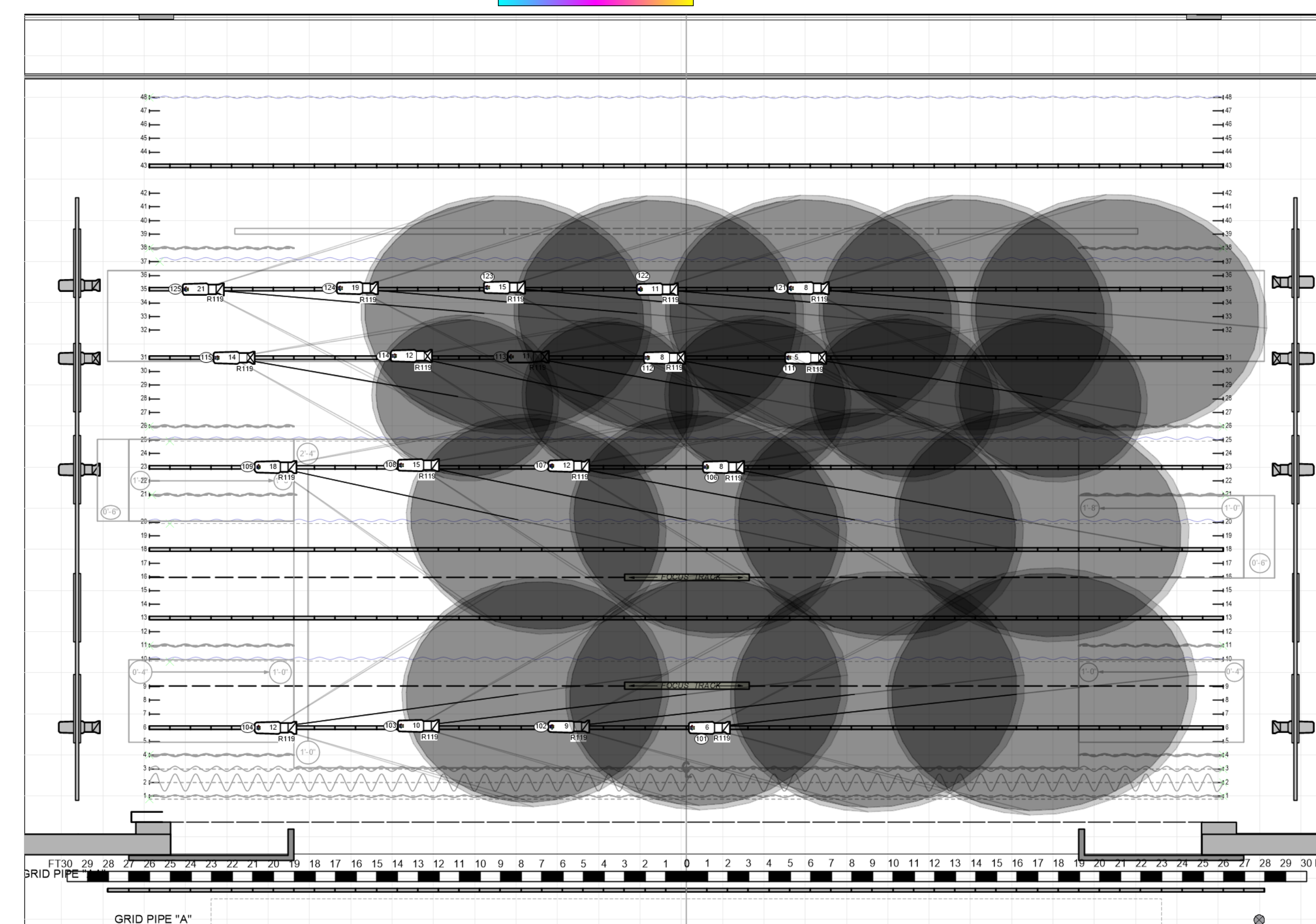
< LED HI SIDE
R119

Please note that 1st and 6th fixtures of this system are located on SL ladders



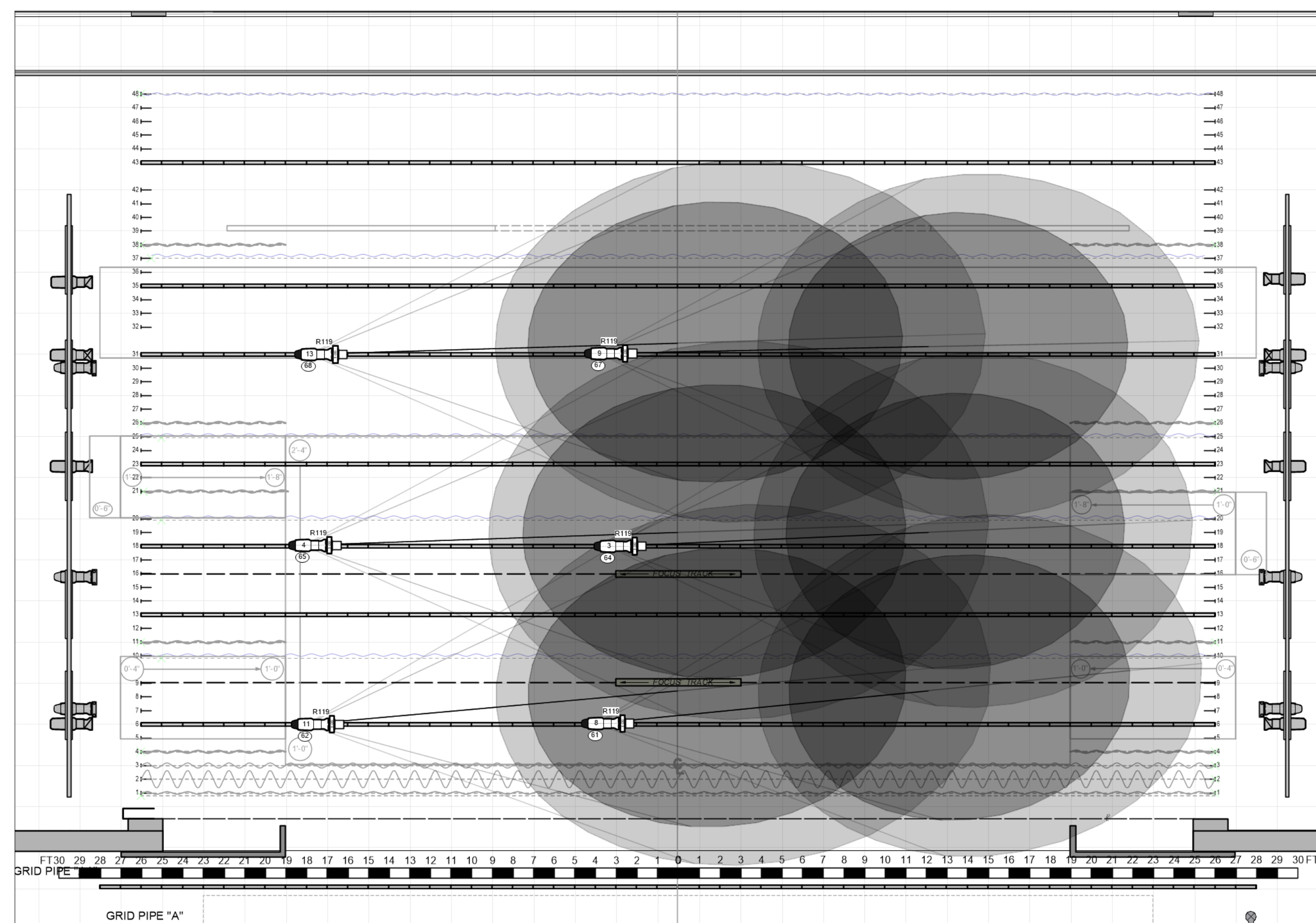
> LED HI SIDE
R119

Please note that 5th and 10th fixtures of this system are located on SR ladders

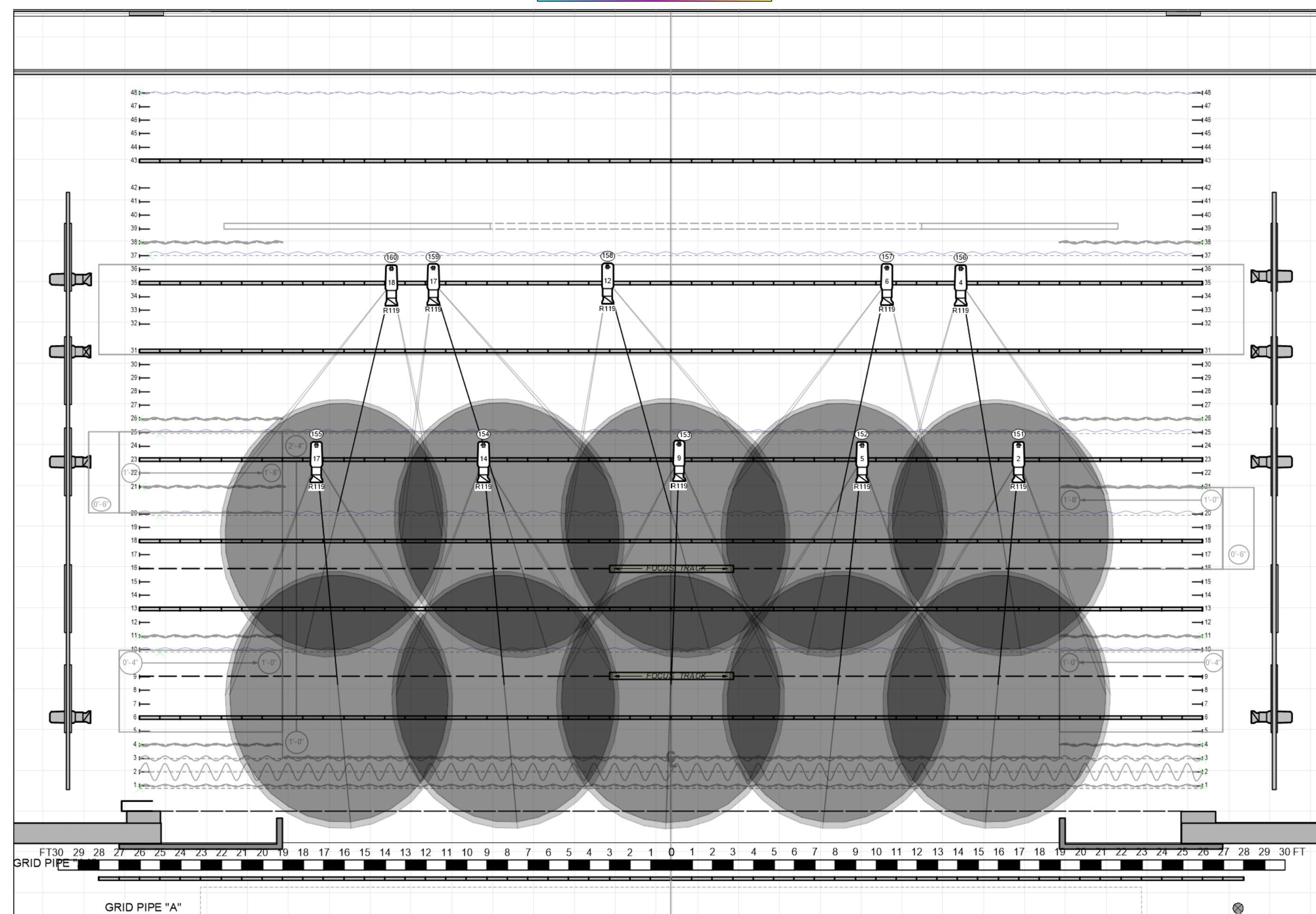


< SCROLLER SIDE
11-019 + R119

Please note that 3rd, 6th, and 9th fixtures of this system are located on SL ladders

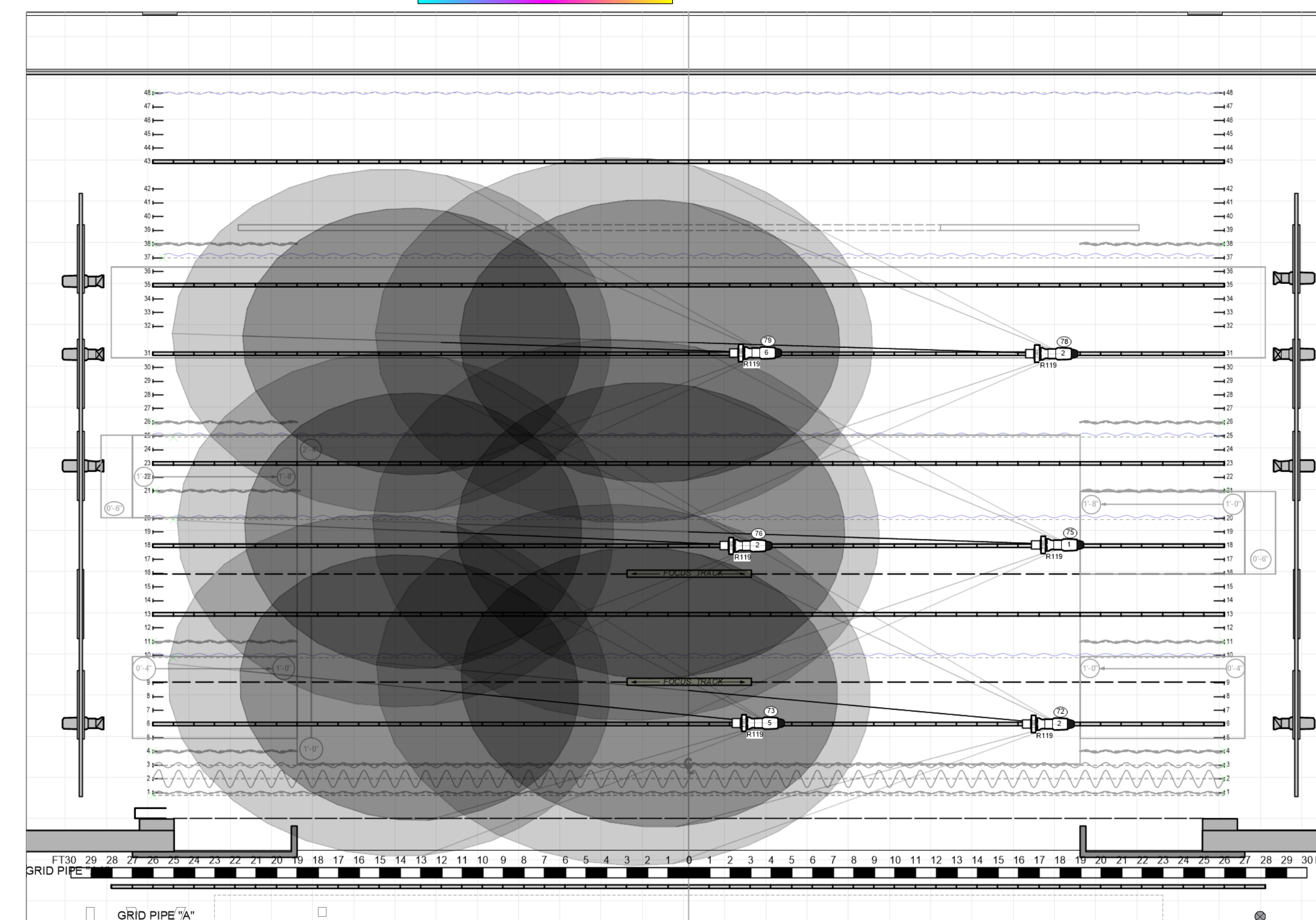


LED BACKLIGHT
R119



< SCROLLER SIDE
11-022 + R119

Please note that 1st, 4th, & 7th fixtures of this system are located on SR ladders



SYMBOL KEY

- ETC Source 4 PAR WFL @ 750W
- ETC Source 4 26° @ 750W
- ETC Source 4 36° @ 575W
- ETC Source 4 50° @ 750W
- ETC Source 4 LED 19° @ 117W
- ETC Source 4 LED 26° @ 117W
- ChromaQ Studio Force II 48 @ 550W

ACCESSORY KEY

- Wybron Fore-runner 4" Color Scroller w/ Scroll 11-019
- Wybron Fore-runner 4" Color Scroller w/ Scroll 11-022
- 7.5" Four Leaf Barn Door
- Sidarm

COLOR & TEMPLATE KEY

- | | | | |
|-------|-------|--------|--------|
| | | | |
| G330 | L747 | R27 | R80 |
| | | | |
| R90 | R316 | R368 | R2007 |
| | | | |
| R3202 | R3406 | R77572 | R78485 |

LEGEND

- Color
- Template Indicator
- Unit Number
- Channel Number

NOTES

1. Please note that all Boom Coordinates are directly next to the Booms on Plate 1.

WOZZECK

CARNEGIE MELLON UNIVERSITY
THE PHILIP CHOSKY THEATER

JESSICA WINWARD
LIGHTING DESIGN

PRODUCTION TEAM

DIRECTOR:
SCENIC DESIGNER:
SOUND DESIGNER:
COSTUME DESIGNER:
MEDIA DESIGNER:
LIGHTING DESIGNER: JESSICA WINWARD

SCALE: 3/8" = 1'
REVISION #: 2

SHEET NO.

5

DATE: 04.14.2022

OF 5

SYSTEMS